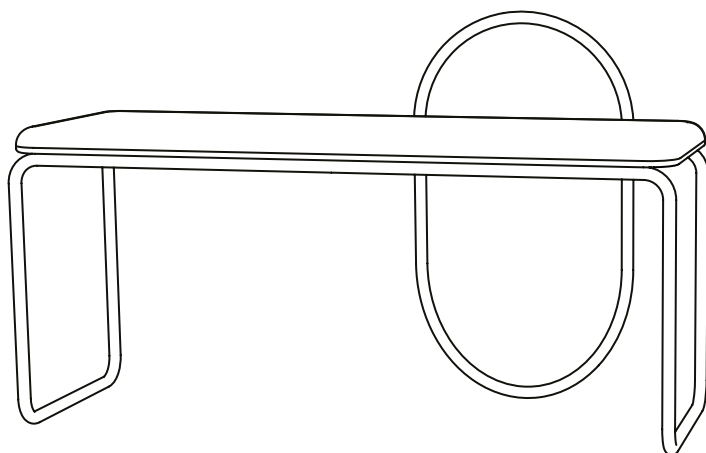
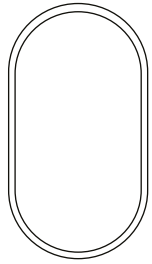


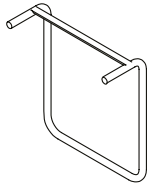
ANGUI



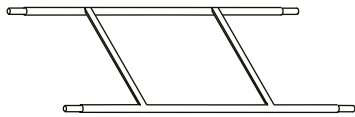
AYTM



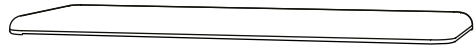
x 1



x 2



x 1



x 1



x 4



(A) x 4 (M6X12MM)



(B) x 8 (M6X10MM)



(C) x 8 (M6X20MM)



(E) x 8 (M5X20MM)

